

TWIN FAN CONTROLLER

MODEL: AC-02/04



DESCRIPTION

Twin fan controller model AC-02/04 is designed using microcontroller technology & capable to operate two fans as per the programmed time sequence. This controller has an in-built diagnostic and controlling function, few key features as listed below:

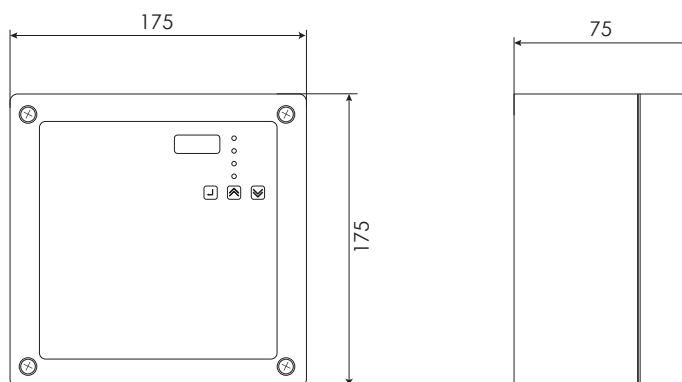
FEATURES:

- Controller can be configured to either Auto or Manual mode
- Auto Mode is further divided into Air sense mode or Current sense mode or Air-current sense mode.
- Manual mode is also divided into Air sense or Current sense mode or Air-current sense mode.
- Programmable options with 1 to 12 hours “change over” cycle along with on-line programming features.
- Seven segment display and LED indicators for better programming and fault monitoring features to enhance the user experience.
- Building Management system (BMS) status indication through volt free relay contacts.
- Designed to operate directly on 220V @ 12 amps, single phase motor.
- Option with 220V control voltage to connect 3 Phase motor through appropriate programming along with power module.
- Added features with “over current tripping level” by measuring actual current (in terms of %) of motor during programming mode.
- 220V AC rated controller, suitable for 50 or 60Hz line frequency.
- In built Fuse Protection as standard features.
- Actual size: 175 X 175 X 75 mm.
- Weight: 820 gm.

DIMENSIONS AND WIRING DIAGRAM

AC-02-04

Dimensions in mm



CONNECTOR INFORMATION

