

# > BOX-T HT



High Temperature Centrifugal Fan F400 - (certified according to EN 12101-03)



## DESCRIPTION

Cabinet centrifugal fan with separate motor cabin is designed for Fire resistance (outside the Fire Zone) kitchen exhaust or other applications where the drive system must be outside the air stream. The construction of BOX-T HT are of pentapost design & have strong three way aluminum joints to form a rigid Frame work, Pre-painted galvanized sheet steel panel. High performance centrifugal backward/forward curved impeller manufactured in steel sheet. Tested in accordance to standard EN 12101-3 :2002 and complies with the performance criteria for 400C/2hour and certified by applus.

## CONSTRUCTION

- Box-T HT Frame is with or without extruded aluminium profile and panels in PPGI sheet.
- Double inlet centrifugal fan with forward / backward curved blades, driven by trapezoidal belts and fixed pitch pulleys.
- Belt coupling is protected by a guard in galvanized sheet steel.
- Asynchronous three-phase motors outside the air stream according to international standards IEC 60034, IEC 60072, EMC 2004/108/CE, LVD 2006/95/CE, CE marked, IP 55, class F. Suitable for S1 service (continuous working at constant load).

## ACCESSORIES (UPON REQUEST)

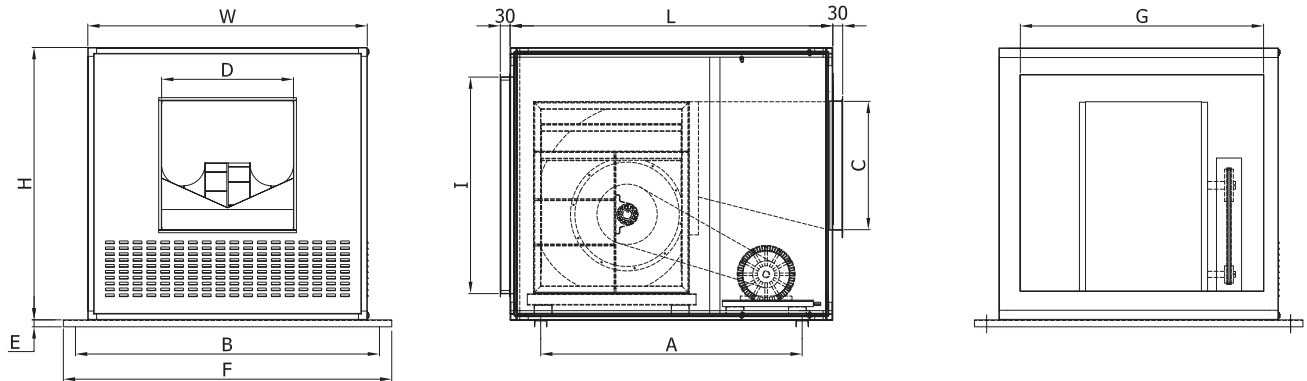
- Vibration Isolators.

## UPON REQUEST

- BOX-T HT with pre filter.
- BOX-T HT with dual speed motor.



**Applus<sup>+</sup>**  
F400/120



MODEL	L	H	W	C	D	G	I	F	E	A	B
7-7	850	650	670	228	259	470	405	920	70	550	820
8-8	850	650	670	256	287	470	405	920	70	550	820
9-7	900	700	740	262	232	540	450	990	70	600	890
9-9	900	700	740	262	298	540	450	990	70	600	890
10-8	950	745	820	289	265	615	495	1070	70	650	970
10-10	950	745	820	289	331	615	495	1070	70	650	970
12-9	1050	800	910	341	309	700	550	1160	70	700	1060
12-12	1050	800	910	341	395	700	550	1160	70	700	1060
15-11	1250	935	1120	404	373	910	685	1370	70	900	1270
15-15	1250	935	1120	404	471	910	685	1370	70	900	1270
18-13	1350	1020	1245	478	430	1040	770	1495	70	1000	1395
18-18	1350	1020	1245	478	557	1040	770	1495	70	1000	1395
200	850	650	670	256	256	470	405	920	70	550	820
225	900	700	740	288	288	540	450	990	70	600	890
250	950	745	820	322	322	615	495	1070	70	650	970
280	1050	800	910	361	361	700	550	1160	70	700	1060
315	1150	870	1010	404	404	800	615	1260	70	800	1160
355	1250	935	1120	453	453	910	685	1370	70	900	1270
400	1350	1020	1245	507	507	1040	770	1495	70	1000	1395
450	1450	1120	1380	569	569	1180	870	1630	70	1050	1530
500	1550	1240	1580	638	638	1345	1000	1830	70	1150	1730
560	1650	1350	1750	715	715	1520	1070	2000	70	1250	1900
630	1850	1475	1950	801	801	1715	1195	2200	70	1300	2100
710	2050	1650	2170	898	898	1940	1400	2420	70	1350	2320
800	2250	1850	2420	1007	1007	2190	1535	2670	70	1550	2570
900	2500	1995	2690	1130	1130	2460	1715	2940	70	1800	2840
1000	2650	2155	3010	1267	1267	2775	1875	3260	70	1850	3160

Notes:  
All dimensions in mm.