

> CC-JD HT



JET FANS Impulse axial fans for car park ventilation



Applus⁺

F300/120

F400/120



DESCRIPTION

Axial impulse fans suitable for installation in underground car parks and/or tunnels, especially designed and certified for fire smoke and hot gases extraction in case of fire. CC-JD HT are “dual purpose” fans, i.e. they can provide both normal ventilation (carbon monoxide removal) and smoke extract in case of fire.

In the standard configuration for normal ventilation (CO extract), the series can be used at the temperature of +50°C temperature range. The fire smoke extraction models (HT) are CE certified to F300, F400 class, in compliance with Standard EN12101-3 and guaranteed to operate at 300°C and 400°C for 2 hours by the independent notified body Applus.

The special impulse induction fans technology represent the most innovative and cost-effective alternative to traditional duct mechanical extraction systems: the drastic reduction of installation costs (complete removal of ducted and grilled systems) and the considerable running cost savings ensured by the system distinctive features (ventilation / extraction can be partial and only if necessary) are only two of the multiple benefits of car park ventilation systems based on Jet fans.

CONSTRUCTION

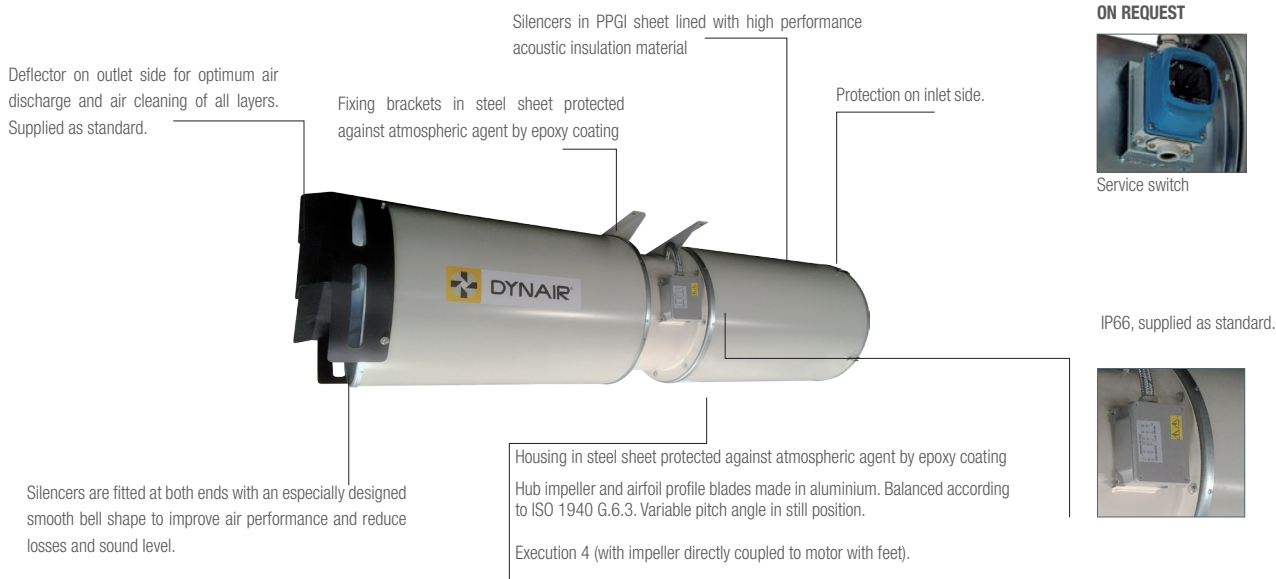
- Silencers in pre painted galvanized steel sheet inside lined with high performance acoustic insulation material.
- Deflector on outlet side for optimum air discharge and air cleaning of all layers. Supplied as standard.
- Protection guard on inlet side.
- Fixing brackets in galvanized steel sheet for ceiling (or wall) installation. Supplied as standard and pre-assembled.
- Silencers are fitted at both ends with an especially designed smooth bell shape to improve air performance and reduce losses and sound level.
- Housing in steel sheet protected against atmospheric agent epoxy paint.
- Hub impeller and airfoil profile blades made in aluminium. Balanced according to ISO 1940 G.6.3. Variable pitch angle in still position.
- Terminal box IP66, resistant to high temperature and supplied as standard.

MOTOR



Asynchronous three-phase motors 415V 50 Hz according to international standards IEC 60034, IEC 60072, EMC 2004/108/CE, LVD 2006/95/CE. Motors suitable for DOL (Direct On Line) start. CE marked. Protection IP55, class F or H. Execution 4 (with impeller directly coupled to motor with feet).

UPON REQUEST

- Versions for the sole normal ventilation (CO extraction) (CC-JD)
- Sizes up to Ø 1000 mm
- Versions with reversible airflow
- Service switch



TECHNICAL DATA FOR 50 Hz

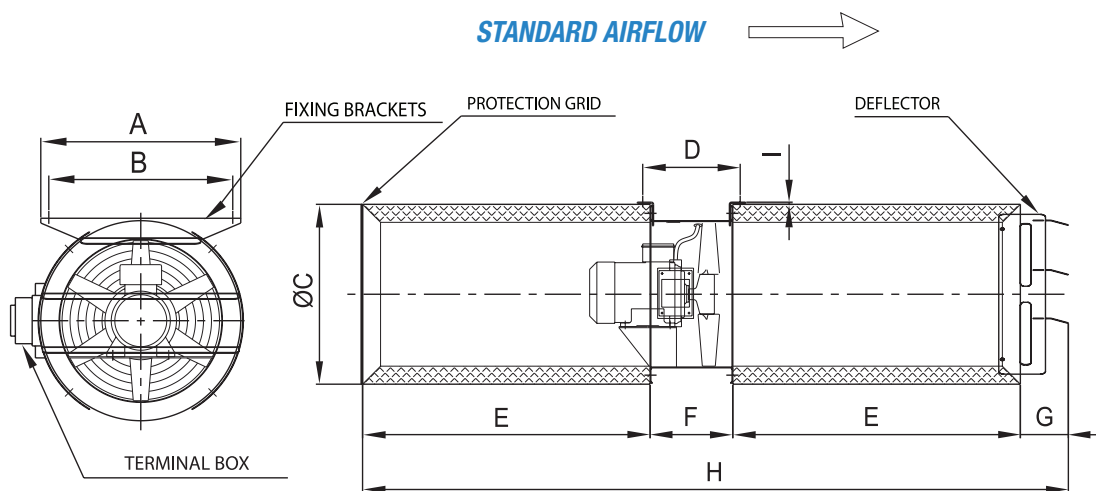
Type	Model	Speed (Rpm)	Motor power (Kw)	Rated Current (A)	Power Supply (V/Hz)	Temperature class °C
CC- JD	312	2785	0.75	1.72	400 ± 5% 50Hz	-20/+50 C
CC- JD- HT	312	2785	0.75	1.72	400 ± 5% 50Hz	 F300, F400/ 2HRS
CC- JD- HT	312/4	2785/1400	0.75 /0.12	1.72 /0.45	400 ± 5% 50Hz	
CC- JD	402	2900	1.50	3.54	400 ± 5% 50Hz	-20/+50 C
CC- JD- HT	402	2900	1.50	3.54	400 ± 5% 50Hz	 F300, F400/ 2HRS
CC- JD- HT	402/4	2900/1455	1.5 /0.25	3.54/1.05	400 ± 5% 50Hz	

PERFORMANCE DATA

Type	Model	Air flow (m³/s)	Air speed (m/s)	Thrust (N)	Lp (dB(A)@3m)
CC- JD	312	1.28	17.30	27	54
CC- JD	402	2.88	22.30	78	58
CC- JD- HT	312	1.28	17.30	27	54
CC- JD- HT	312/4	1.28/0.64	17.30/8.70	27/07	54/43
CC- JD- HT	402	2.88	22.30	78	58
CC- JD- HT	402/4	2.88/1.44	22.30/11.20	78/20	58/47

ON REQUEST: Reversible version CCJR is available in both models and in single and double speed.

DIMENSIONS



Model	A	B	ØC	D	E	F	G	H	I	Kg
CC- JD 310	415	375	415	240	620	200	134	1585	66	65
CC- JD 400	500	460	500	270	800	230	134	1965	68	80