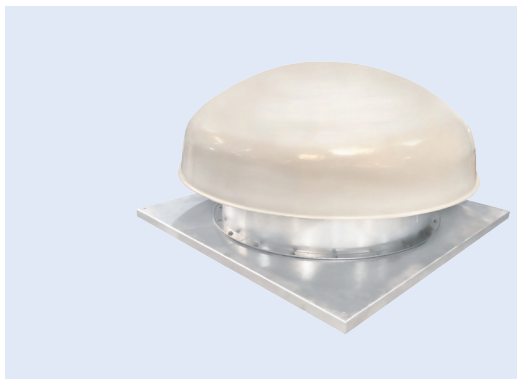


> TACC

Axial roof fans



GENERAL DESCRIPTION

These roof fans are suitable for extracting large air volumes. Therefore they are particularly designed for air exchange of large volume premises and plants. Main features of TACC series are high strength, easy installation and maintenance, high efficiency (thanks to axial impeller with airfoil blades). This range has the possibility to be easily ducted and, if required, the possibility of making a version for air intake (with reverse flow). The use of the TACC series is foreseen for clean air with temperature range from -15°C to + 50°C.

CONSTRUCTION

- Fixing base in steel sheet + HDG Coated.
- Casing in steel sheet, HDG coated.
- Axial impeller with aerofoil profile blades in glass reinforce polyamide and die-cast aluminium hub, balanced according ISO 1940. Variable pitch angle in still position with setting means.
- Weatherproof upper cover in fiberglass.
- Airflow from motor to impeller.
- Protection guard on outlet side, in steel rod, manufactured according to norms UNI 10615 and weatherproof.
- Asynchronous three-phase motor according to international standards IEC 60034, IEC 60072, EMC 2014/30/UE, LVD 2014/35/UE, CE marked, IP 55, class F. All suitable to S1 service (continuous working at constant load).

ACCESSORIES (UPON REQUEST)

- Gravity Shutter.

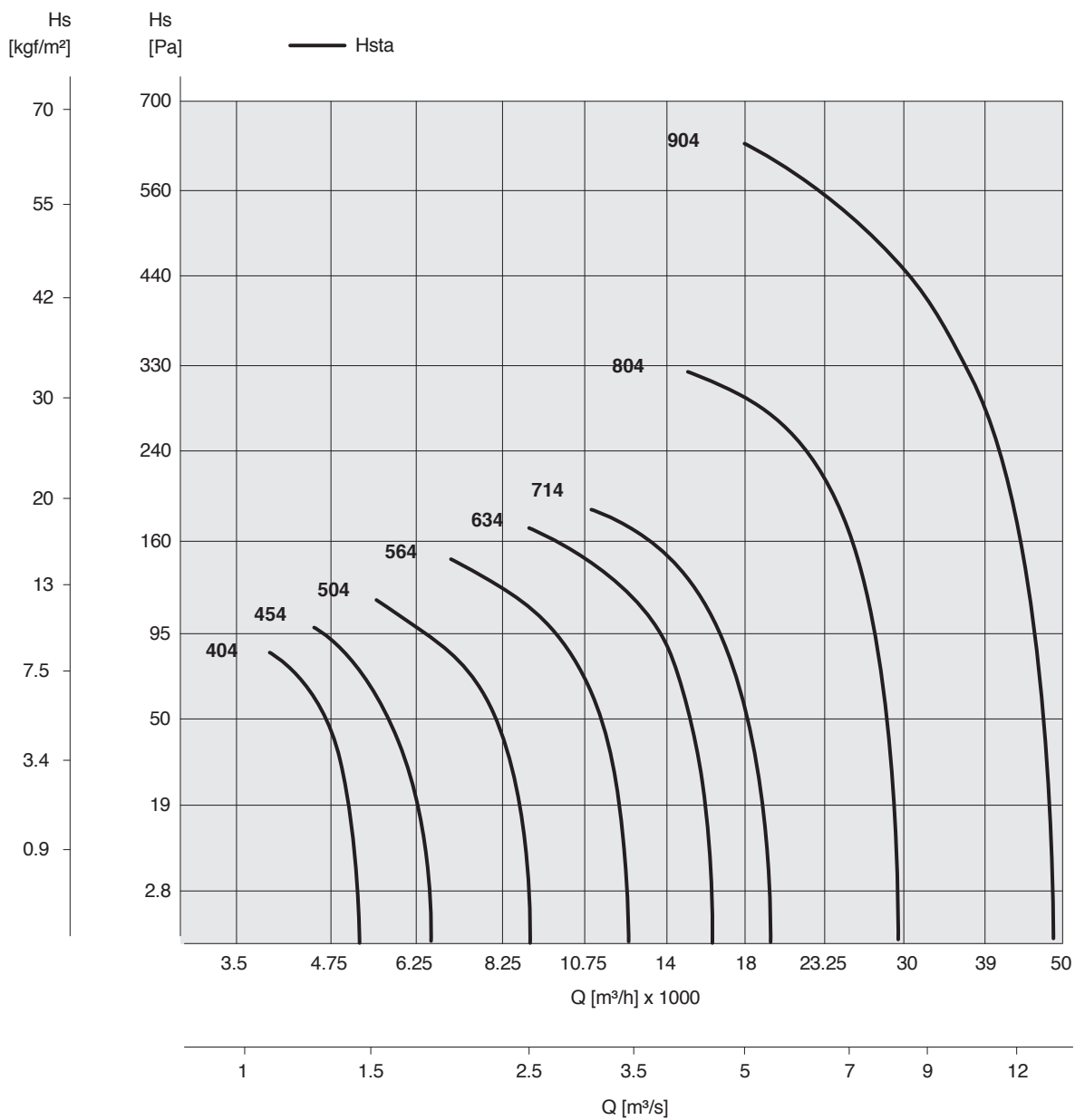
SEZ.

1

Frequency 50Hz – Air temperature 15°C – Barometric pressure 760 mm Hg – Air specific weight 1,22 Kg/m³

Lp: sound pressure level measured at 6 m

sez.
1

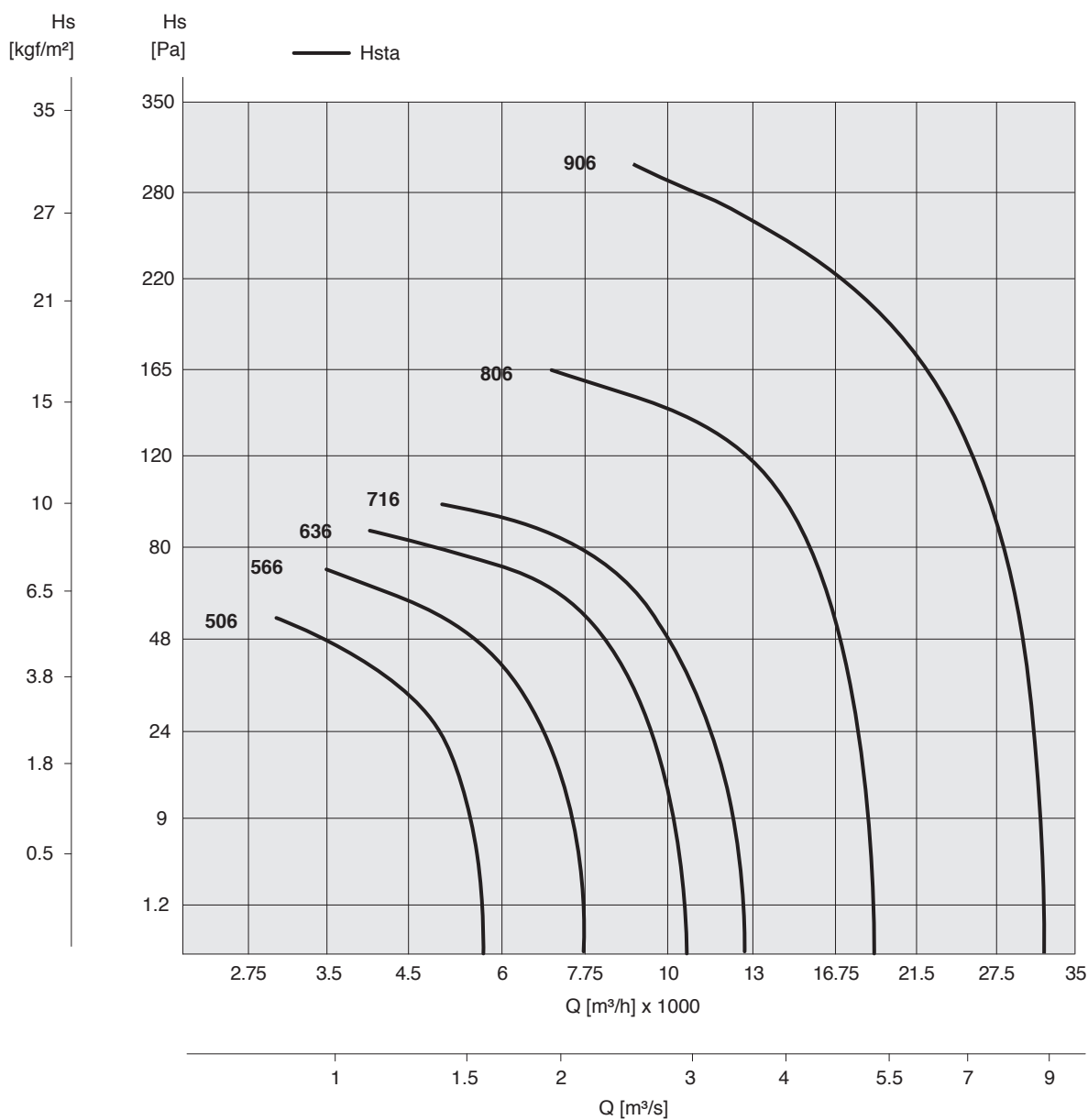


TACC 4 poles

TYPE	U	Pm (kW)	In (A)	rpm	IP/CL	Mot. (Gr)	Lp dB(A)
TACC 404	M	0,18	1,60	1350	55/F	63	53
TACC 404	T	0,18	0,65	1380	55/F	63	53
TACC 454	M	0,37	2,90	1350	55/F	71	57
TACC 454	T	0,37	1,20	1370	55/F	71	57
TACC 504	M	0,55	4,40	1370	55/F	80	59
TACC 504	T	0,55	1,60	1380	55/F	80	59
TACC 564	T	0,75	2,00	1400	55/F	80	64
TACC 634	T	1,10	2,80	1405	55/F	90S	68
TACC 714	T	2,20	5,30	1425	55/F	100L	71
TACC 804	T	5,50	12,00	1450	55/F	132S	72
TACC 904	T	9,20	17,30	1450	55/F	132M	79

Frequency 50Hz – Air temperature 15°C – Barometric pressure 760 mm Hg – Air specific weight 1,22 Kg/m³

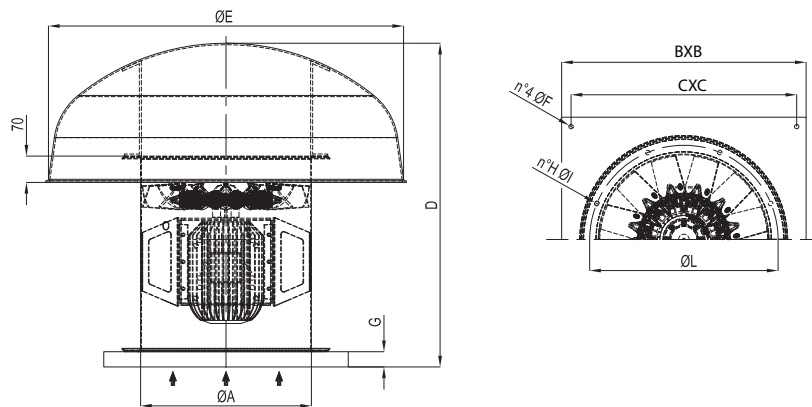
L_p: sound pressure level measured at 6 m



TACC 6 poles

TYPE	U	P _m (kW)	I _n (A)	rpm	IP/CL	Mot. (Gr)	L _p dB(A)
TACC 506	T	0,18	0,82	900	55/F	71	49
TACC 566	T	0,26	1,10	900	55/F	71	52
TACC 636	T	0,37	1,20	910	55/F	80	58
TACC 716	T	0,75	2,50	915	55/F	90S	60
TACC 806	T	1,50	4,20	945	55/F	100L	61
TACC 906	T	3,00	7,20	960	55/F	132S	68

SEZ.
1



sez.
1

TYPE	Ø A	B X B	C X C	D	Ø E	Ø F	G	Ø I X H (Qty)	Ø L
TACC 400	400	650X650	600X600	750	950	12	38	Ø 12 X 8	450
TACC 450	450	650X650	600X600	750	950	12	38	Ø 12 X 8	500
TACC 500	500	760X760	710X710	875	950	14	38	Ø 12 X 12	560
TACC 560	560	760X760	710X710	925	1200	14	38	Ø 12 X 12	620
TACC 630	630	930X930	870X870	1075	1200	14	38	Ø 12 X 12	690
TACC 710	710	930X930	870X870	1075	1200	14	38	Ø 12 X 16	770
TACC 800	800	1100X1100	1030X1030	1080	1510	14	38	Ø 12 X 16	860
TACC 900	900	1300X1300	1220X1220	1200	1510	16	50	Ø 16 X 16	970

Dimensions in mm
Indicative weights

ACCESSORIES

GRAVITY SHUTTER

MODEL	A	B	C	D	E	No. Flap	(Kg)
TACC 400	405	400	496	450	Ø 12 X 8	2	8
TACC 450	455	450	546	500	Ø 12 X 8	2	9
TACC 500	505	450	598	560	Ø 12 X 12	2	10
TACC 560	565	370	658	620	Ø 12 X 12	4	11
TACC 630	635	370	735	690	Ø 12 X 12	4	12
TACC 710	708	400	810	770	Ø 12 X 16	4	23
TACC 800	808	450	910	860	Ø 12 X 16	4	24
TACC 900	908	450	1030	908	Ø 16 X 16	4	27

Dimensions in mm

