

> TW-D/T

Belt driven twin fans



GENERAL DESCRIPTION

Belt driven twin fans series TW-D/T is the extension of the series TW-D direct drive. The series is designed for installation where it is peremptory to guarantee an extraction (or supply) uninterrupted of high flow rates. This purpose is reached by means of a fan of service and another one in "stand-by" waiting for start automatically in case of breakdown of the first fan. Duty and "stand-by" fans can be manually or automatically exchanged. Both a.m. functions are achieved by an electronic panel, available in different version (Automatic Changeover AC upon request).

TW-D/T: Units are suitable for inlet duct, indoor and outdoor application.

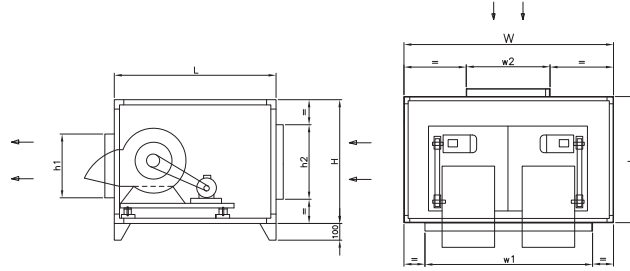
CONSTRUCTION

- The twin units TW - D/T use a common outlet, with a system of gravity shutters that prevents the air recycling through "stand-by" fan. Each fan is supplied with a flow sensor which, in a case of failure of the duty fan, gives information to the changeover panel will automatically alternate the working cycle of the fans.
- TW-D/T Frame is with or without extruded aluminium profile and panels in PPGI sheet.
- Lined with technopolymer class I.
- Inlet and outlet coaxial suitable for being ducted either in exhausting and in taking.
- Double inlet belt drive fan with asynchronous three-phase, class F motors

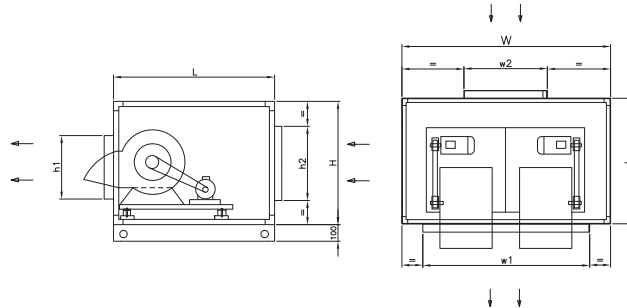
OPTIONAL FEATURE

- Version with double skin panels of 20/50 mm thickness (only possible in with extruded Al Profile construction)
- Different discharge orientation
- Customized Cabinet Size.
- Weather Protection Guard (canopy)
- Safety protection guard.

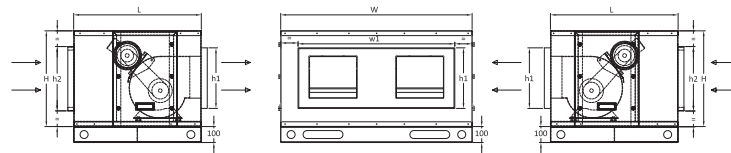
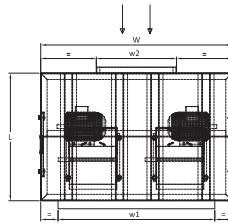
Maximum installed motor Kw can be upto 7.5Kw for the above ranges.
Esp above 500 Pa backward curve can be recommended.
without Profile version is limited to 7/7 to 18/18 and up to 100L motor frame size.



TW-D/T-7/7 to 12/12 & 200 to 315



TW-D/T-15/15 to 18/18 & 355 to 630



TW-D/T WITHOUT PROFILE 7-7 TO 18-18 (Standard)

TYPE	W	H	L	Outlet Collar		Inlet Collar	
				w1	h1	w2	h2
TW-D/T 7/7	1000	550	750	800	350	400	350
TW-D/T 9/7	1000	600	800	800	350	400	350
TW-D/T 9/9	1200	600	800	900	350	500	400
TW-D/T 10/8	1200	650	900	1000	400	500	400
TW-D/T 10/10	1200	650	900	1000	400	500	400
TW-D/T 12/9	1400	750	950	1100	400	600	400
TW-D/T 12/12	1500	750	950	1200	400	600	400
TW-D/T 15/15	1800	1000	1100	1500	500	800	500
TW-D/T 18/18	2100	1000	1270	1700	600	1000	600
TW-D/T 200	1000	550	750	800	350	400	350
TW-D/T 225	1200	650	900	800	350	500	400
TW-D/T 250	1200	650	900	1000	400	500	400
TW-D/T 280	1400	750	950	1100	400	600	400
TW-D/T 315	1500	750	950	1200	400	600	400
TW-D/T 355	1800	1000	1100	1500	500	800	500
TW-D/T 400	2100	1000	1270	1700	600	1000	600
TW-D/T 450	2400	1200	1400	1900	750	1200	700
TW-D/T 500	2400	1200	1400	1900	750	1200	700
TW-D/T 560	2600	1300	1650	2200	800	1500	700
TW-D/T 630	3000	1450	1760	2400	900	1800	800

Dimensions in mm